

WHOLE CLUSTER CONVEYOR BELT

FLEXIBLE AND EASY HEIGHT ADJUSTMENT



Optional equipment: Special hopper and grape crusher

EQUIPMENT

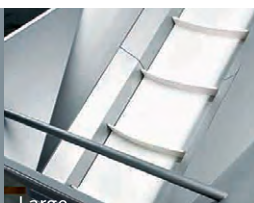
- Stainless steel design
- Food-grade conveyor belt
- Hydraulic height adjustment
- Belt tensioning device
- Four casters (two with brakes)
- Sump drain fitting DN 50
- Easy to clean

OPTIONS

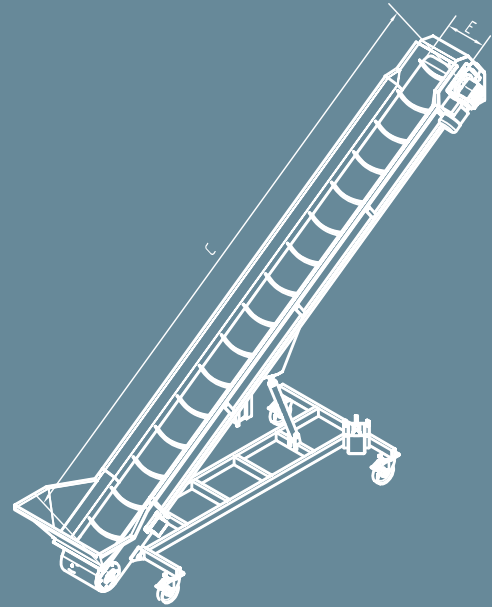
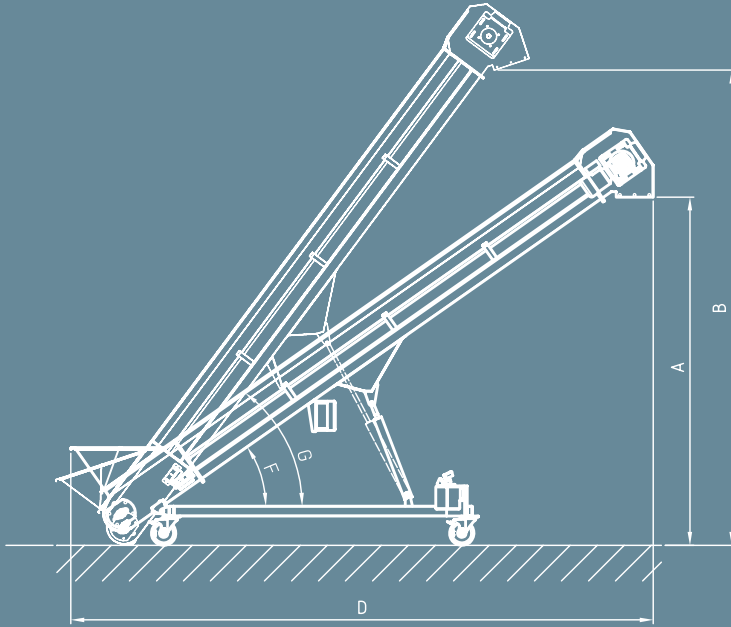
- Large feeding hopper with most outlet
- Grape crusher
- Swivel chute
- Cleaning system
- Height adjustable with hydraulic piston



Swivel chute (optional)



Large feeding hopper (optional)



DIMENSIONS

Item	A (mm)	B (mm)	C (mm)	D (mm)	E (mm)	F (°)	G (°)
FB40/17	1,700	2,290	3,000	3,127	400	35	50
FB40/22	2,274	3,105	4,000	3,947	400	35	53
FB40/25	2,297	3,069	4,500	4,579	400	30	43
FB40/28	2,849	3,888	5,000	4,765	400	35	52
FB40/34	3,185	4,374	6,000	5,711	400	32	48
FB40/40	3,604	5,113	7,000	6,634	400	31	47
FB60/17	1,700	2,290	3,000	3,127	600	35	50
FB60/22	2,274	3,105	4,000	3,947	600	35	53
FB60/28	2,795	3,918	5,000	4,928	600	33	52
FB60/34	3,186	4,364	6,000	5,741	600	32	48
FB60/40	3,811	4,849	7,000	6,687	600	32	42